



MPP-67

37.25" Height
 43.75" Height w/casters
 67.13" Length
 35.13" Depth

MPP-67-D

37.25" Height
 43.75" Height w/casters
 67.13" Length
 35.13" Depth

Features

- Stainless steel top, front, and sides
- Aluminum interior lining
- Self closing doors with hermetic seal
- Heavy duty chrome plated hinges, Recessed handles
- Reinforced adjustable heavy duty epoxy coated shelves
- Bumpers on back for protection
- 6" heavy duty casters
- 1/3 size polypropylene pans
- 19" wide NSF approved polyethylene cutting board
- UL Classified to ANSI/NSF 7
- Forced air evaporator for rapid temperature "Pull Down"
- Self contained heavy duty 134a condensing unit

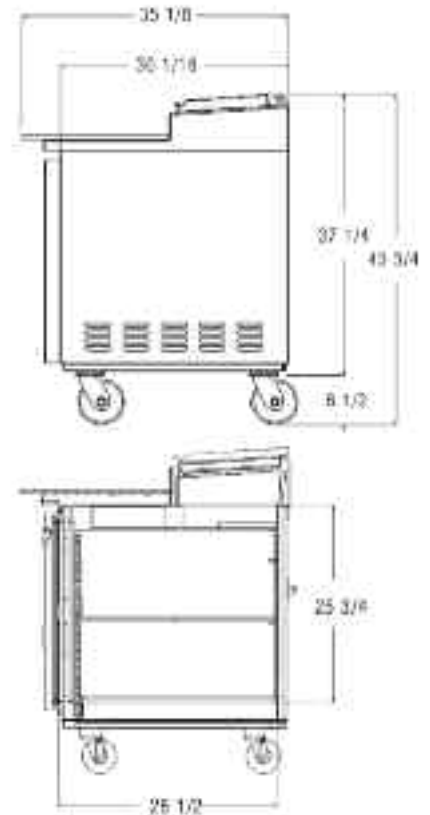
Model No.	Description	Voltage	Amps	Temp	HP	Est. Ship Weight
MPP-67	2 Doors/4 Shelves 9 Pans (1/3 size)	115	8	33°F - 41°F	1/3	415#
MPP-67-D	1 Door/2 Shelves/2 Drawers 9 Pans (1/3 size)	115	8	33°F - 41°F	1/3	440#

Technical Data / Pizza Prep

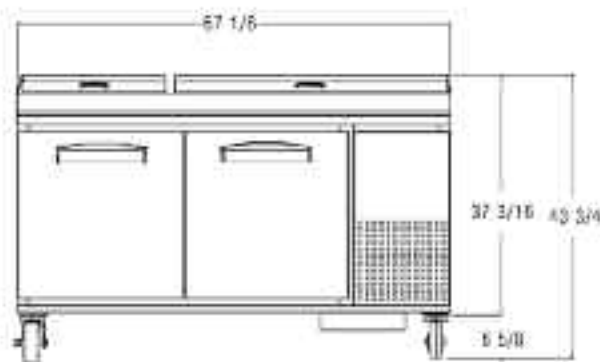


Model #	MPP-67	MPP-67-D
Outside Dimensions		
Depth	35.13"	35.13"
Length	67.13"	67.13"
Height w/casters	43.75"	43.75"
Door Size	25.38"x25.81"	25.38"x25.81"
Door Type	2 Doors	1 Door/2 Drawers
Drawer Size		25.63"x12.69"
Inside Dimensions		
Depth	27"	27"
Length	63"	50"
Height	21.75"	21.75"
Shelf Size	23.38"x26.63"	23.38"x26.63"
# of Shelves	4	2
# of 1/3 Pans	9	9
Capacity: Cubic Foot	18.2	18.2
Specifications		
Operating Temperature	33°F-41°F	33°F-41°F
Refrigerant	134a	134a
Compressor Size HP	1/3	1/3
Voltage	115	115
Amperage	8	8
Cord and Plug	yes	yes
Shipping Dimensions		
Depth	39"	39"
Length	71"	71"
Height	50"	50"
Gross Weight lbs.	415	440
Cubic feet	80	80

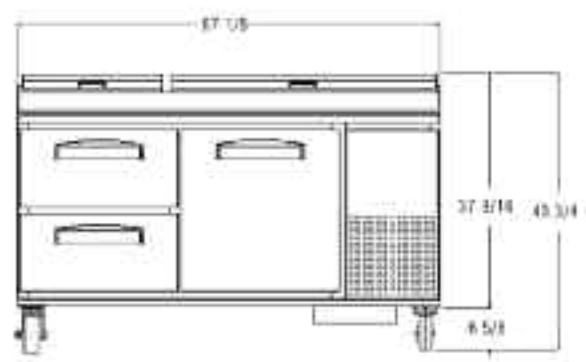
**MPP-67
MPP-67-D**



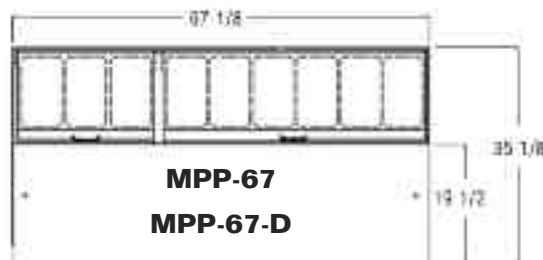
- Cases are designed to operate at 75°F and 55% relative humidity.
- Specification subject to change without notice.



MPP-67



MPP-67-D



**MPP-67
MPP-67-D**