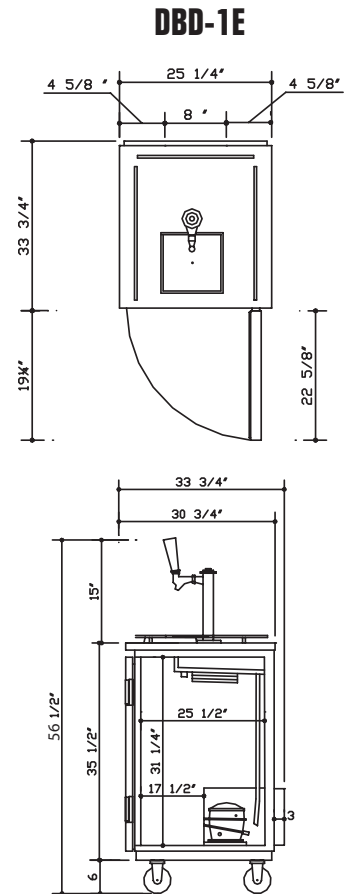




Technical Data / Beer Dispensers

MODEL #	DBD-1E	DBD-2E2	DBD-3E3	DBD-4E4
OUTSIDE DIMENSIONS				
Depth	33.25"	25.13"	25.13"	25.13"
Length	25.25"	56.25"	69.13"	90.13"
Height	51.5"/56.5" with caster	51.50"	51.50"	51.50"
Door Size	31.375" x 22.625"	31.375" x 19.25"	31.625" x 22.50"	31.625" x 22.50"
Door Type	1 swing	2 swing	2 swing	3 swing
INSIDE DIMENSIONS				
Depth	25.5"	20.375"	20.375"	20.375"
Length	21.25"	52.25"	65.13"	86.13"
Height	31.25"	31.75"	31.75"	31.75"
# of Kegs	1	2	3	-
# of Taps	1 (2 taps DBD1E-2)	2 (4 taps DBD2E2-2)	2(4 taps DBD3E3-2)	4
Capacity: Cubic Foot	9.81	14.5	19	26
SPECIFICATIONS				
Operating Temperature	33°F-41°F	33°F-41°F	33°F-41°F	33°F-41°F
Refrigerant	134a	134a	134a	134a
Compressor Size HP	1/5	1/3	1/3	1/3
Voltage	115	115	115	115
Amperage	4.7	8.2	8.2	10.4
Cord and Plug	yes	yes	yes	yes
SHIPPING DIMENSIONS				
Depth	30.00"	30.00"	30.00"	30.00"
Length	42.00"	64.00"	73.00"	93.00"
Height	44.00"	44.00"	44.00"	44.00"
Gross Weight lbs.	230	341	425	525
Cubic feet	26	40	55	71



- Cases are designed to operate at 75°F and 55% relative humidity.
- Specification subject to change without notice.

